



Unisto **Metalo 15**

Container application



Various seal colours



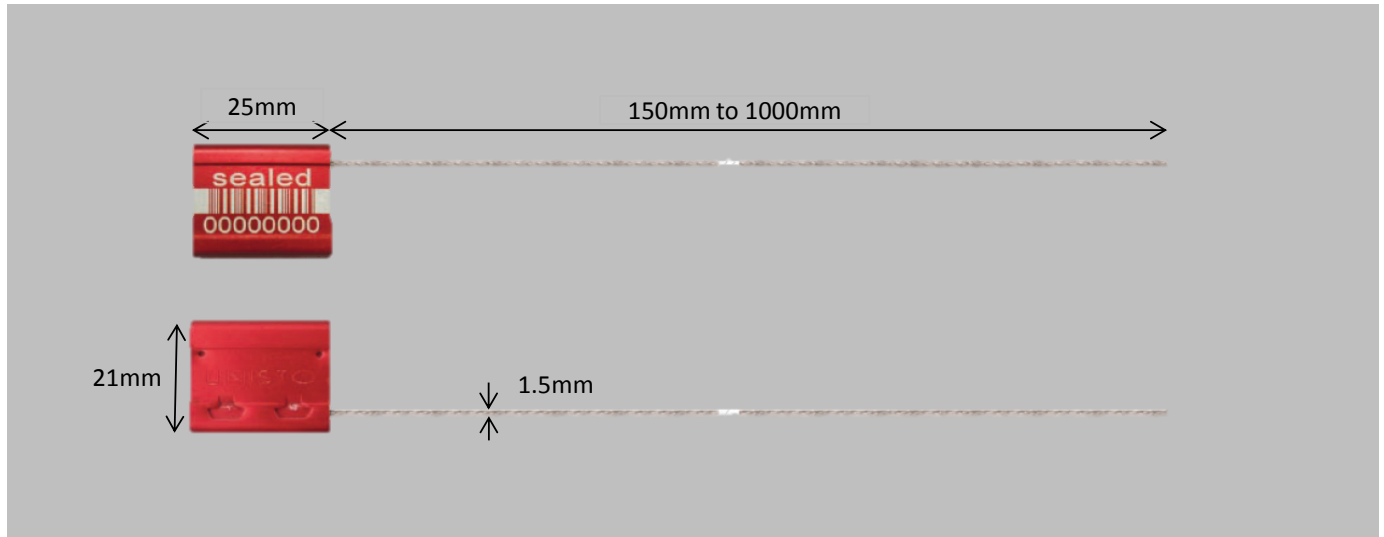
Directly lasermarked



Non-Preformed cables



Unisto Metalo 15



Technical Data

Materials

Seal casing: Aluminium Alloy
 Cable: Aircraft cable
 Locking roller: Heat treated Carbon Steel
 Tension Spring: Heat treated High Tensile Steel

Tensile strength (loop)

Above 3.0 kN

Numbering

Up to 7 digits

Barcoding

Barcode 128
 Others on request

Customer name/logo

Directly laser-marked

Anodized Colours :

Blue, Green, Black, Red

Packing

10 seals per bundle
 50 bundle/carton (500 seals) for cable 150 to 250mm
 25 bundle/carton (250 seals) for cable above 250mm

Product Features and Benefits

- Unique designed locking mechanism which firmly secures the seal in position to eliminate any possibility of tampering
- Non-preformed cables unravels after cut to prevent multiple re-sealing
- Barcoded numbering for fast, accurate reliable data capture and streamlining operations
- Large printing and marking area for customer name or logo for clear identification and branding
- Various colours for logistical functions
- Use for container shipping to secure import and export of goods

31.5 cm x 24.5 cm x 11.5 cm

0.009 m3

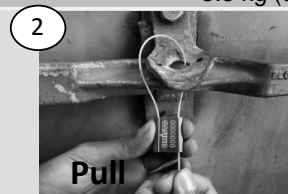
3.0 kg (250 seals)

5.5 kg (500 seals)

How to close



Loop



Pull

How to open

