

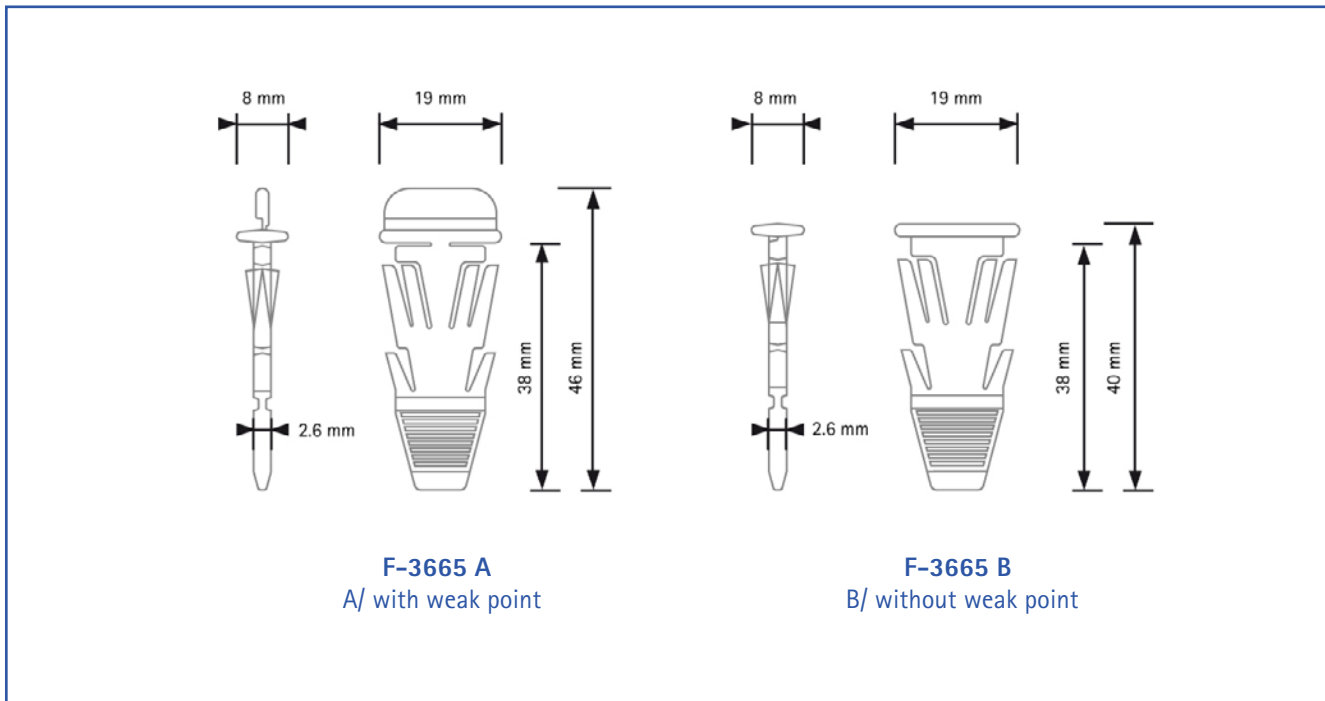
Unisto Drum Seal F-3665



Security
Logistics
Identification
Control



Unisto Drum Seal F-3665



Technical Data

Material

Polyethylene (PE)

Tensile strength

A/ with weak point: ca. 200 N
 B/ without weak point: ca. 400 N

Colours

Light blue, dark blue, red, yellow, orange, dark green, white, black
 Other colours available on request

Customer name/logo

Blind embossed

Packing

Boxes of 6000 pieces

Product Features and Benefits

Off-set locking fingers secure grip in box and improved tamper resistance

Various colours for logistical functions

Customer name/logo for clear identification

Version A with weak-point allows removal of seal without tool

One piece seal - recyclable