



World's first Visual 360° inspection
- result of constant innovation, a tireless quest for performance and excellence

Unisto Myracle

container or truck sealing



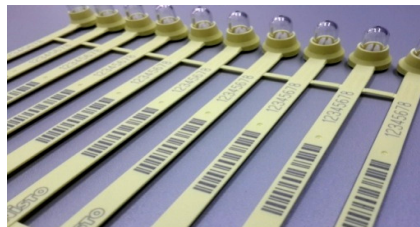
multiple seal colours



numbered and customer logo



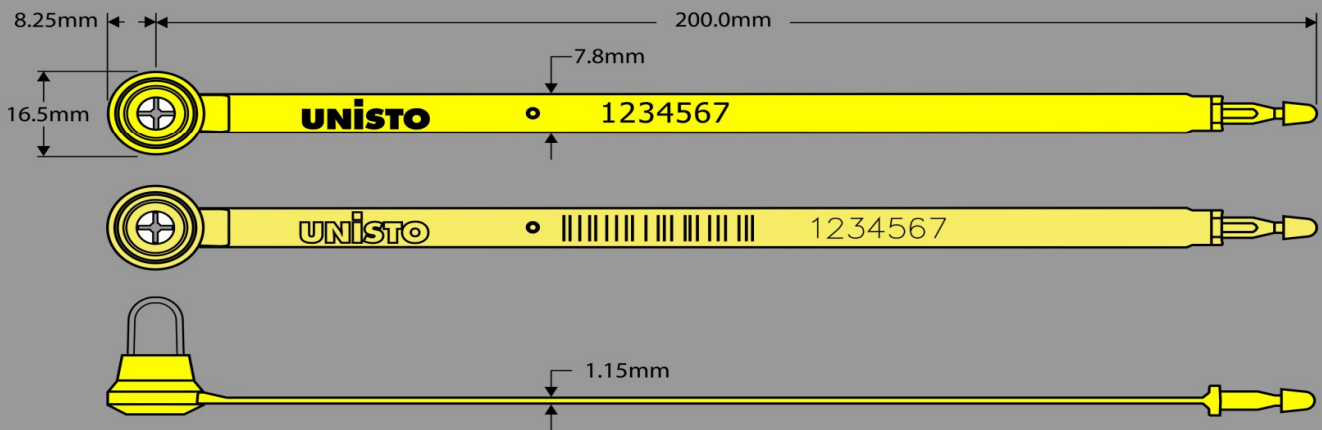
delivered in mats



highly tamper evident



Unisto Myracle



Technical Data

Materials

Ribbon/housing: polypropylene (PP)
 Locking spring: polyoxymethylene (POM)
 Clear housing: polyoxymethylene (POM)

Tensile strength (loop)

Approx. 320 N

Numbering

Up to 7 digits. Foil printing or directly laser-marked

Barcoding

Barcode 128, Interleaved 2/5
 Others on request

Customer name/logo

Foil printed or directly laser-marked

Plastic Colours - numbered version:

blue 285C, white, red 1797C, yellow 108C,
 orange 164C, green 347C

Other colours available on request

Plastic Colours - directly laser-marked version:

yellow 100U, white, green 3375C, blue 290U

Other colours available on request

Packing

Mats of 10 pieces, box of 1000 seals

Product Features and Benefits

- Security breaking at the snapping point provide easy removal of the seal and prevents a broken seal from being glued or welded together and the broken knob leaving clear evidence of the locking mechanism inside clear housing
- Innovative and unique clear inspection window design enables quick and easy visual checking of any fool play
- Spring insert moulded from engineering plastic and capable to withstand high temperature
- Spring insert is secured by unique hot-welding and leave marks of attempted tampering
- Anti-Spin closure
- Revolutionary design whereby breaking point of the seal hides in the transparent capsule and irritrievable upon detached from the seal

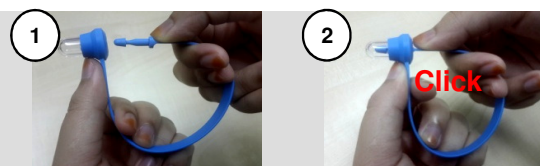
200 mm

36.3 x 18.9 x 19.5 cm

0.0134 m³

3.74 kg

How to close



How to open

Remove with cutters (A)
 or by pulling (B1-B2)

