

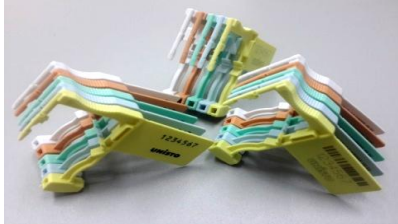


# Unisto Padlock 1

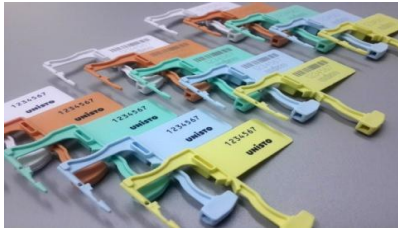
trolley application



various seal colours



numbered and customer logo



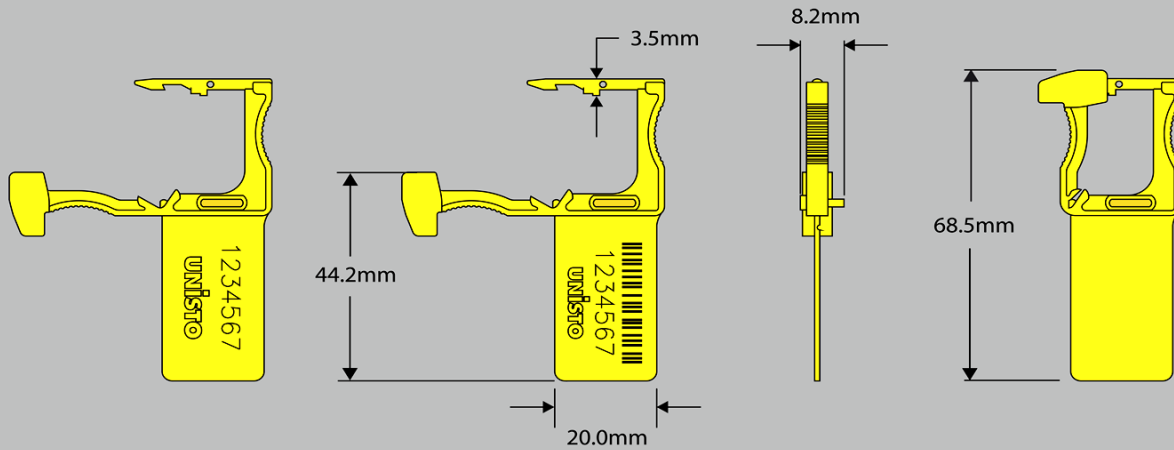
narrow hasp for small eyelets



tamper evident feature



# Unisto Padlock 1



## Technical Data

### Materials

Polypropylene (PP)

### Tensile strength (loop)

Approx. 25 N

### Numbering

Up to 7 digits

### Barcoding

Barcode 128, Interleaved 2/5

Others on request

### Customer name/logo

Foil printed or directly laser-marked

### Plastic Colours - numbered version:

red 1797C, blue 285C, green 347C, yellow 108C,  
orange 164C, white

Other colours available on request

### Plastic Colours - directly laser-marked version:

blue 290U, yellow 100U, green 3375C, white,  
Other colours available on request

### Packing

20 pieces per tray, box of 1000 seals

100 pieces per bag, box of 1000 seals

## Product Features and Benefits

- One-piece moulded seal
- Hasp diameter 3.5 mm fits small slits and eyelets
- Hasp design allows single-handed application
- Free movement in locking mechanism prevents glueing, allows integrity of the seal to be checked easily
- Easy apply and removable by hand
- Various colours for logistical functions.
- Customer name or logo for clear identification - supports image / branding
- Barcoding for fast, accurate and reliable data capture and streamlining operations
- Mats of 5 or 10 seals allows sequential distribution

TBA

TBA

## How to close



## How to open

