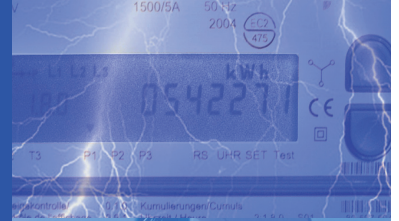
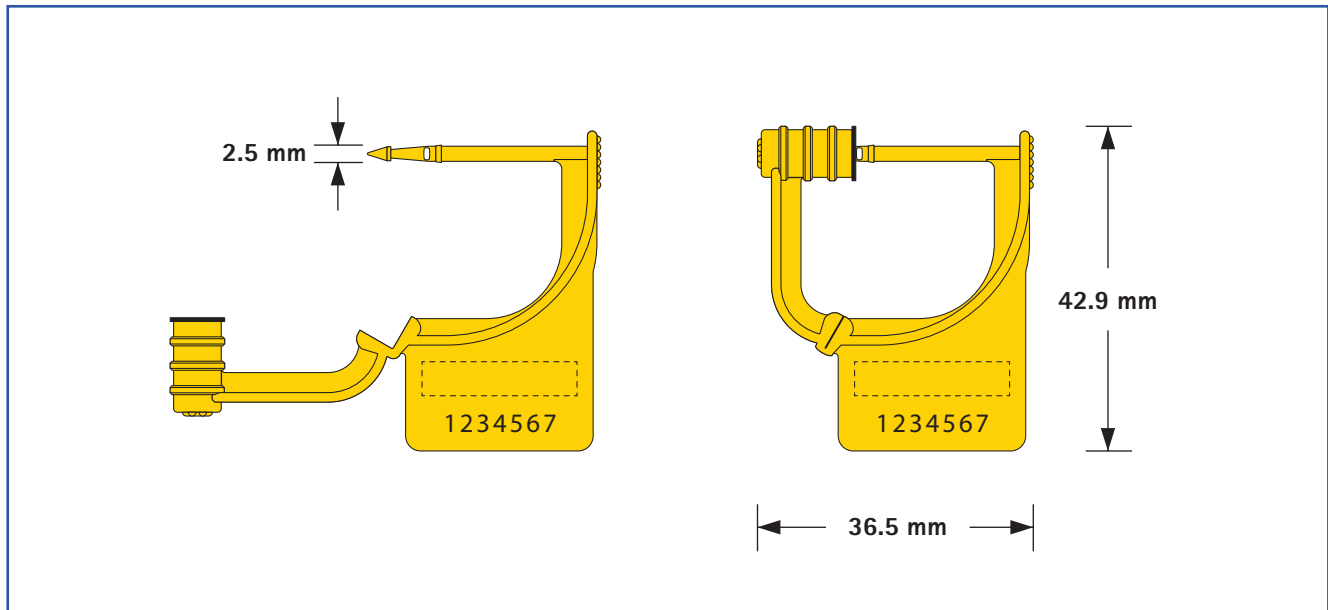


Unisto Padlock 2

Security
Logistics
Identification
Control



Unisto Padlock 2



Technical Data

Material
Polypropylene (PP)

Tensile strength
Approx. 35 N

Numbering
7 digits

Colours
White, black, green, yellow, orange, blue, purple, red
Other colours available on request

Customer name/logo
Foil printed

Packing
100 pieces per polybag, box of 1000 seals

Product Features and Benefits

Hasp diameter 2.5 mm fits small slits and eyelets

Hasp design allows single-handed application

Customer name or logo for clear identification - supports image/branding

Various colours for logistical functions