



Unisto **Hi-Genius**

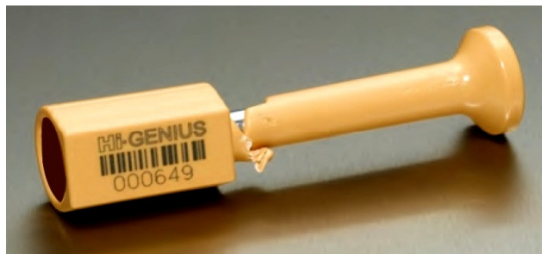
freight container application



barcoded,  
body and bolt are connected



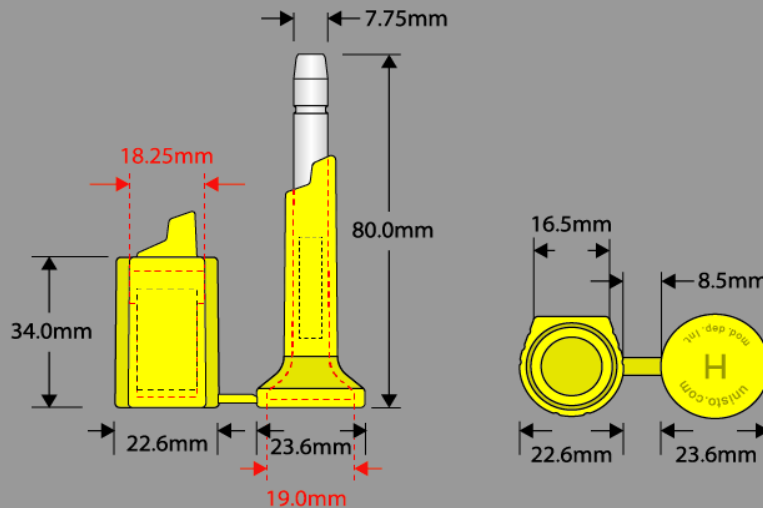
anti-spin and  
tamper evident closure



ISO 17712 high security seal



# Unisto Hi-Genius



## Technical Data

### Materials

Bolt: Steel, silver zinc pattern  
 Body and spring: steel  
 Coating: Acrylonitrile-Butadiene-Styrene (ABS)

### Tensile strength

Approx. 2'000 kg

### Numbering

Directly laser-marked, numbered or barcoded

### Customer name/logo

Directly laser-marked

### Plastic Colours - directly laser-marked version:

yellow 100U, blue 290U, white, apricot 1485C, green 3375C

Other colours available on request

### Packing

10 pieces per tray, 200 seals per carton

## Product Features and Benefits

- Interlocking petals when closed provides evidence of attempted tampering by spinning
- Steel locking body increases security level
- Steel components exceed the requirement of a minimum diameter of 18 mm
- Customer name / logo for clear identification
- Laser engraved numbering - impossible to change, increases security level
- Numbers on bolt and body prevents substitution of component parts
- Hi-Genius is fully ISO 17712:2013 compliant, incl. clause 6 "Testing for Evidence of Tampering"

200 seals

21.0 x 40.5 x 21.5 cm

0.019 m<sup>3</sup>

approx. 11.50 kg

10 pieces per tray



How to close



How to open

Remove with bolt cutters (A)





財團法人金屬工業研究發展中心  
機械測試實驗室

40768 台中市工業區 37 路 25 號 TEL : (04)23502169

Metal Industries Research & Development Centre

Mechanical Testing Laboratory

No.25, 37th Road, Industrial Park, Taichung City 40768, Taiwan (R.O.C.)



Testing Laboratory  
0099

Date : 2022/03/11

Accreditation No. : 111TD0311-022-C01

**Certificate of Conformance for Freight Container Mechanical Seal Testing**  
**Seal Classification: High Security Seal**

Customer :

Unisto AG

Seestrasse 7, CH-9326 Horn, Switzerland

Name of Article: Unisto Hi-Genius

Type: Hi-Genius

Serial No. : 0000001~0000026

Specification No. : ISO 17712:2013(E)

Test Dates : 2022/03/03~2022/03/11





MIRDC ,Certifies that 26 samples, 5 for each test and 1 for measurements, of the seal referenced above were subjected to the following tests.

Test Item	Section Number	Classification
Evidence of Tampering (Minimum Diameter)	4.1.3	Pass
Tensile Test	5.2	High security seal (H)
Shear Test	5.3	High security seal (H)
Bending Test	5.4	High security seal (H)
Impact Test room temp	5.5	High security seal (H)
Impact Test reduced temp	5.5	High security seal (H)

**Results :** The above listed tests were completed with no discrepancies noted. Refer to test report number L0303022-T01 for complete details.

The test results contained herein pertain only to the specimens listed in this report. This report shall not be reproduced, except in full, without the written approval of MIRDC

Approved Signatory : CHIANG, Ching-Liu	 
Engineer : SU, Yuan-Da	